

HMX

Presenting the HMX-platform:

Connectivity and Surveillance for the future!

Discover the HMX-platform. A industry leading solution designed to surpass your needs within datalogging, surveillance and connectivity. With NXP's i.MX8 Quadcore CPU at 1.8GHz and a 800MHz Cortex M7 realtime CPU there are plenty of processing power for the most demanding applications.

Specifikation:

CPU

- 1.8GHz Quad-core ARM Cortex-A53 .MX 8M Plus
- Real-time 800MHz Cortex-M7 co-processor
- Neon Media Processor Engine (MPE)
- AI/ML NPU 2.3 TOPS
- 4GB RAM / 64GB eMMC

Display and Video Support

- 1080p60 H.265 / H.264 VP9 / VP8 decode, 1080p60 H.265 / H.264 encode
- Dual-channel LVDS display
- HDMI 2.0a
- MIPI DSI
- Resistive/capacitive touch screen

Networking and Cellular communication

- 2x100/1000Mbps Base-T1 (Rosenberger)
- 2*100Mbps BaseTx (RJ45 och MX34)
- Certified Wi-Fi 6 802.11ax/ac/a/b/g/n and optional 802.15.4
- Bluetooth/BLE 5.4
- 6 x CAN-FD
- 4G with nanoSIM (5G under certification)

USB

- 2 x USB 3.0 OTG typ C, USB 2.0 Host typ A

Accelerometer

- 3-axis accelerometer integrated in unit



Other interfaces

- uSD card for external logging
- Internal Buzzer and power for external
- 5 external start signals (2,5 to 36 V)
- 5 LEDs (red/green) + 1 RGB

Power

- 12-24V with support for temporary deviations
- Battery backup (CR2032) of RTC

Software

- Yocto Kirkstone, Linux
- API for customer SW

Low-power consumption

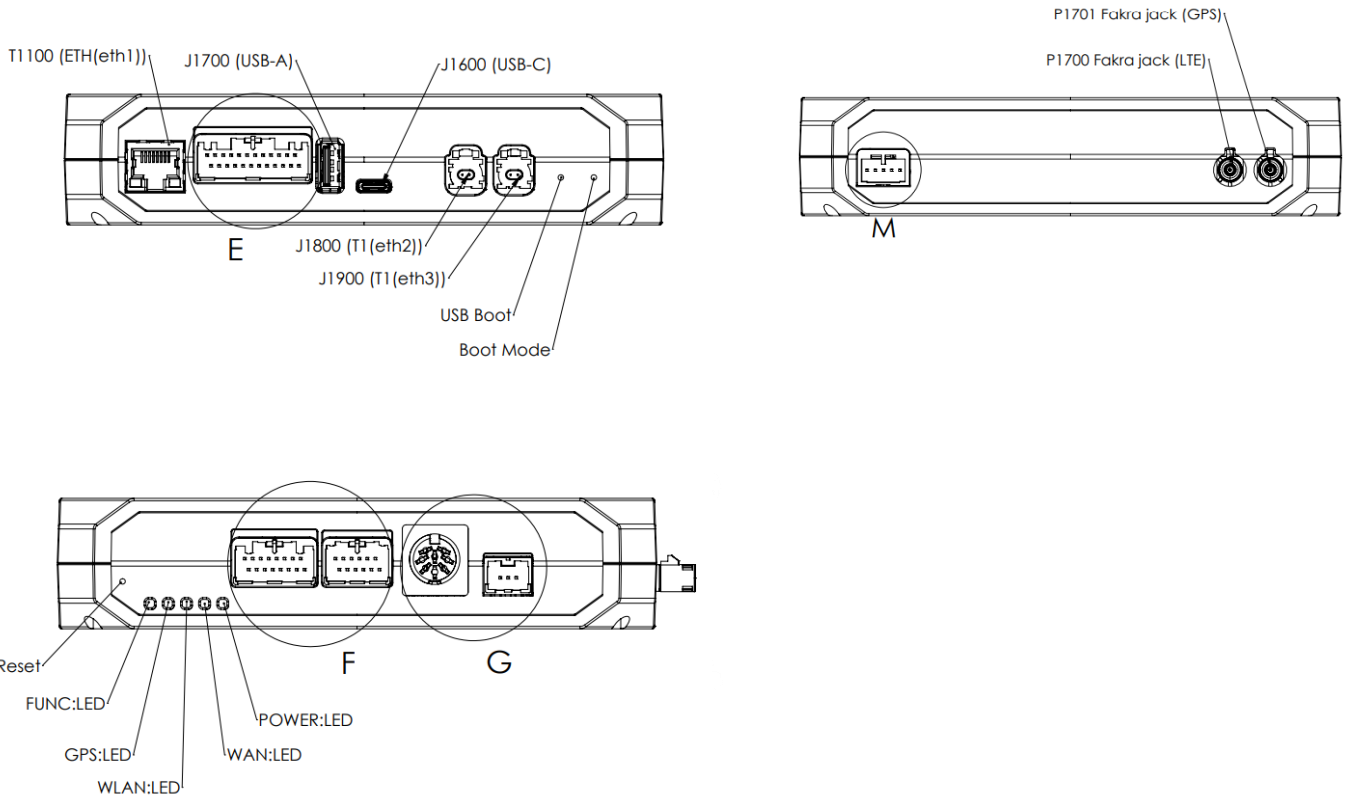
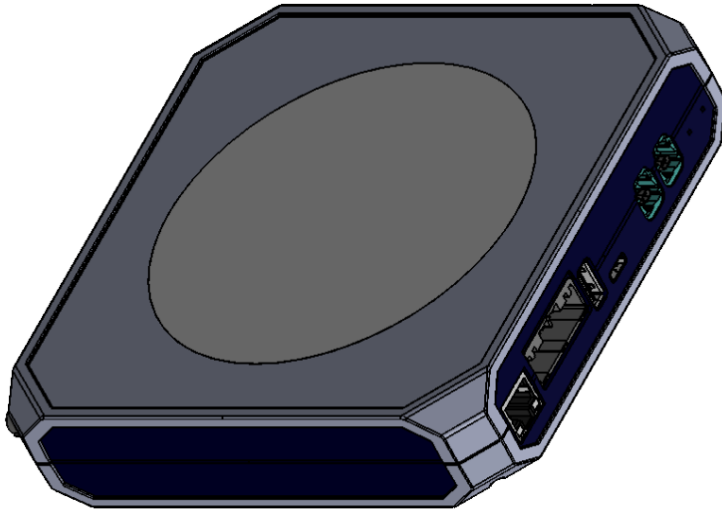
- Optimized power consumption in both operational and suspend modes (< 1 mA in "Off", 25 mA in "Suspend to RAM")
- Wakeup on CAN, DI, accelerometer, RTC and start signals

GPS

- Integrated in unit, External Antenna

Size

- 164x164x30mm without connectors
- Plastic and Aluminium housing
- IP30, -40 to 65°C industrial temperature support



Tailor made software: The key to your success!

Our unit comes prepared for you to add your own software features, utilize the experience we have gained together with our partners over 20+ years in the telematics industry, or for us to develop your solution!

Setek Systems has also the setup to continuously provide you with updated and refurbished units, and a great support organisation to make sure your units are working.

Dont hesitate to contact us at Setek Systems to discuss how we can make a brilliant solution for your connectivity and logging needs.

Contact:

Per Lundberg	072-5519974	Henrik Jönsson	073-8016940	Staffan Sjöstedt	073-3208127
per.lundberg@setek.se		henrik.jonsson@setek.se		s.sjostedt@setek.se	